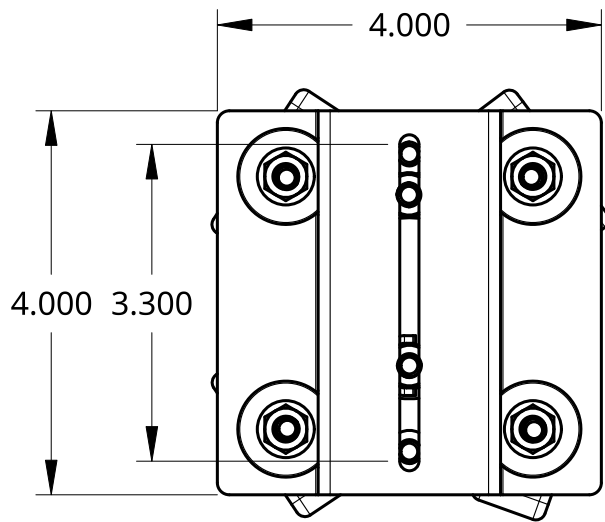
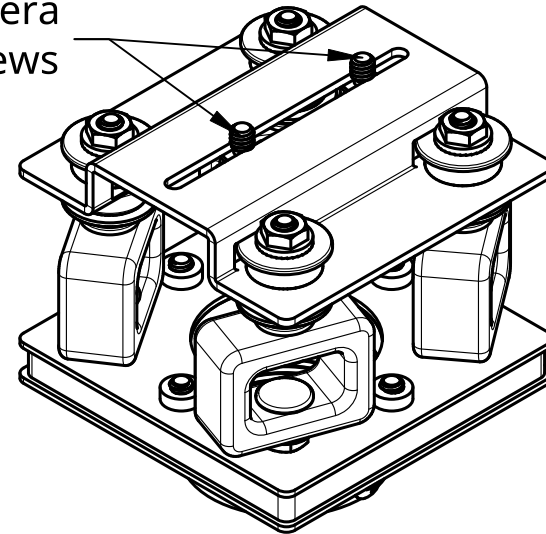


2

1

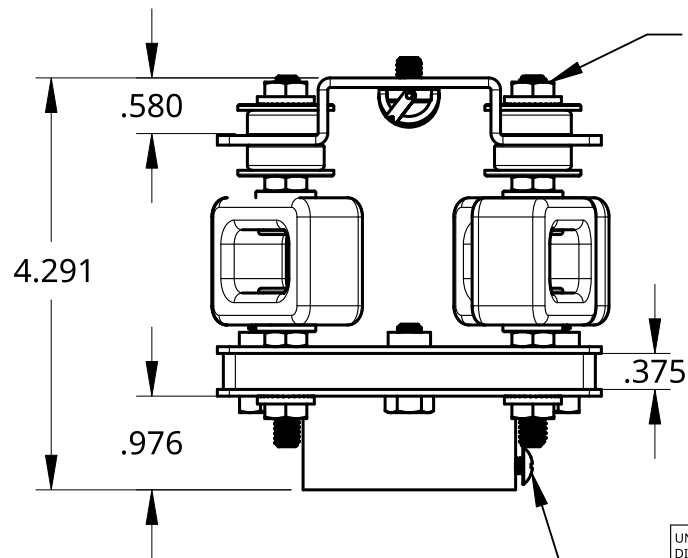


2x 1/4-20 Camera Tripod Mount Screws



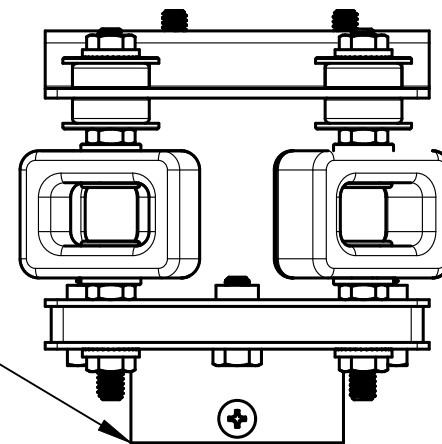
SCALE 1:2

SCALE 1:2



7/16" Wrench Size

1 1/2" Pipe (1.5" NPT)



8-32 Truss Head Screw

UNLESS OTHERWISE SPECIFIED, DIMENSIONS ARE IN INCHES

.XX = ±.0-
.XXX = ±.00-
.XXXX = ±.000-

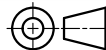
ANGULAR = ± °
FRACTIONAL = ±

SURFACE FINISH

DO NOT SCALE DRAWING

BREAK ALL SHARP EDGES AND REMOVE BURRS

THIRD ANGLE PROJECTION



	NAME	DATE
DRAWN	Bryan Dierking	04/02/2021
CHECKED	Hannah Brent	
APPROVED	Nigel Brent	
MATERIAL	FINISH	

TITLE		
Anti-Vibration Multi-Camera Adaptor NB-UIM-MCA & NB-UIM-MCA-W		
SIZE	DWG NO.	REV.
A		3
SCALE	WEIGHT	SHEET
1:2		1 of 1

2

1

B

B

A

A